

K P



Building & Construction



总公司 HQ:

生产基地 Production F



## Company Profile

Kam Kiu Aluminium Group (KAP), established in 1983, is an aluminium extrusion company on series 1-7 alloy, which employs over 2,300 people, possesses 30 direct extrusion presses, 4 indirect extrusion presses from 550UST to 6,180UST and 2 AirSlip casting systems. We have the compressive operation system including die design and manufacturing, billet casting, extrusion, surface treatment and precision machining. Our aluminium product covers high end electronics products, automotive, transportation, vessel, industrial applications, building and construction etc.

Kam Kiu Aluminium Group is certified with ISO9001, IATF16949, automotive standard; DNV, Norway marine standard; BV, France ship standard; CCS, China ship standard; ISO14001, environmental standard; OHSAS18001 occupational health and safety standard etc. <

h 0 5 井 e t a t

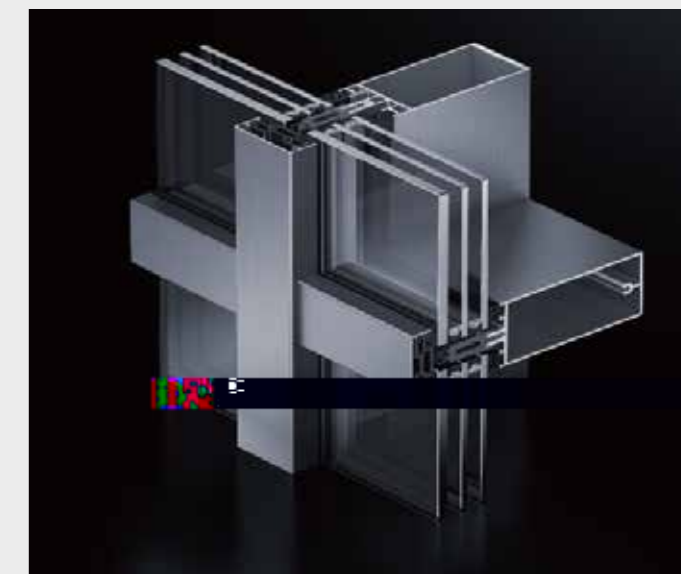
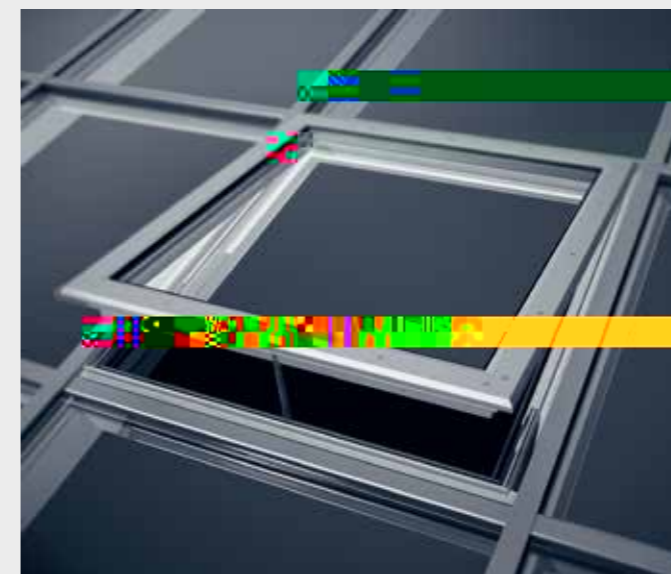
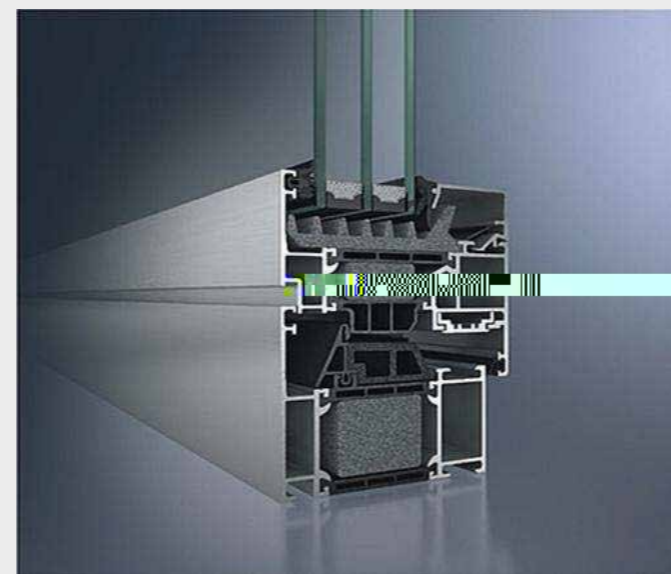


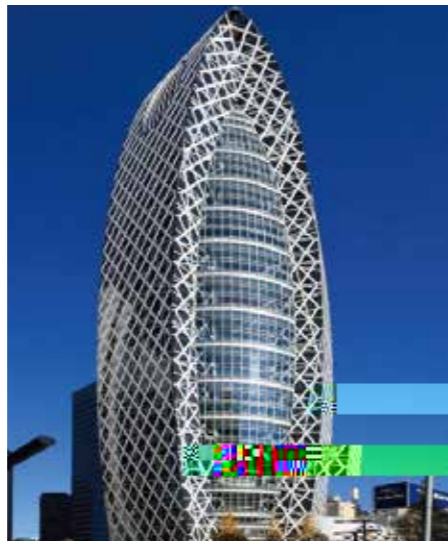
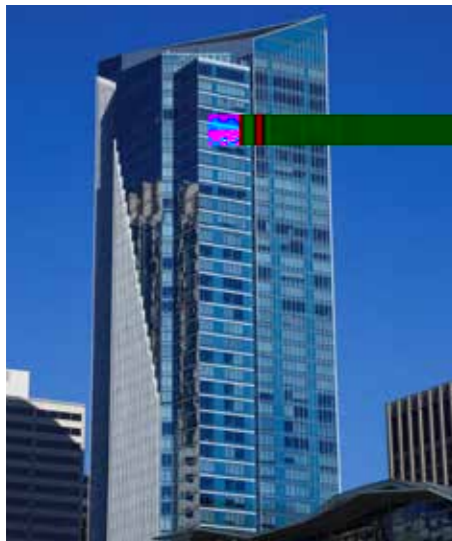
## Process

## Certification

## Product introduction

Taishan Kam Kiu Aluminium Factory Co., Ltd serves worldwide demands of high quality aluminium products and precising machining services on doors and windows.





cooperative partner

